



# FLEXANTENNA – VESA Mounting Kit

## SUPERIOR SCANNING

FLEXANTENNA offers best-in-class tag read performance across tag orientations. Focused linear antennas reduce cross reads and blind spots. Install individual units or combine multiple units as needed.

## FLEXIBLE INSTALLATION

The FLEXANTENNA U-Bolt Pole Mount kit provides ultimate flexibility for mounting portals. Configurations are limitless as you can adjust height to match conveyor lines and build portals with FLEXANTENNA units to read tags from sides, top, or bottom.

## EASE OF DEPLOYMENT

With rising costs of shipping and labor, FLEXANTENNA is a clear winner with reduced costs to transport, deploy, and support. The modular design reduces size and weight allowing for standard parcel shipments and single person installation.



## VESA Mounting Kit Contents:



(8) 1 1/4" length 3/8"-16 hex screws



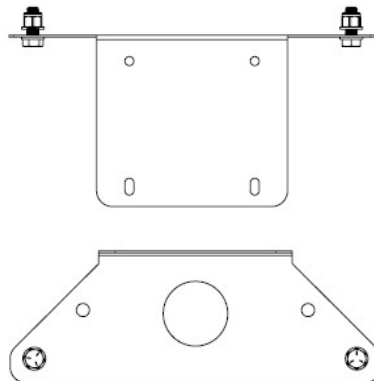
(16) 3/8" flat washers



(8) 3/8" locknuts



(2) FLEXANTENNA VESA 100x100 Mount



## SPECIFICATIONS

**Dimensions:** 11.50" x 5.38" x 4.08"

**Weight:** 2 lbs

**Material:** Aluminum

**Finishing:** RAL 1023 Safety Yellow

## FLEXANTENNA VESA MOUNT KIT FEATURES:

- Fits VESA 100x100 mounts
- Enables mounting at various heights and angles
- Ideal for mounting at angles
- Angle multiple FlexAntenna in different directions
- Sturdy hardware for industrial applications